

ACB/M
Exit Button

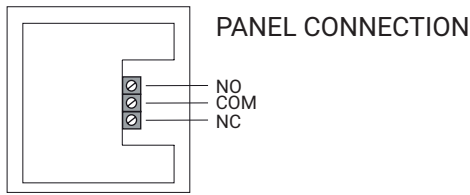


- Stylish design
- COM / NO / NC
- Indoor usage
- Blue housing color

Technical Specifications

Model	ACB/M
Environmental class	II indoor
Electrical	
microswitch output	COM / NO / NC
General	
Housing material	ABS Plastic
Housing shape	Standard
Housing color	Blue
Operating Temperature	-10°C / +55°C
Dimension (HxWxD)	86x86x39mm
Weight	97g

Connections



Description

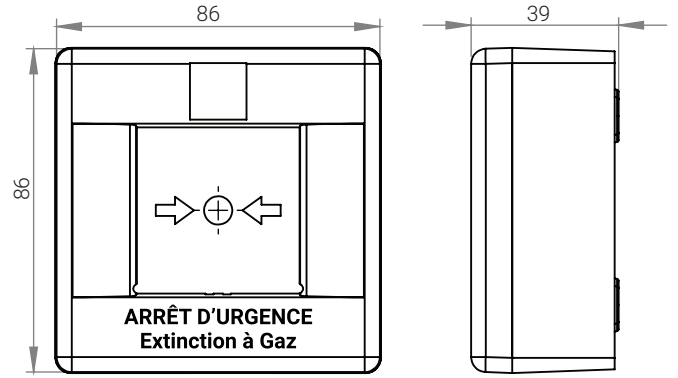
In case of emergency, ACB/M ensures signal to deliver to the connected panel by NO/NC microswitch. The user presses the transparent area when there is an emergency such as burglary, natural disasters etc. with pressing the button, signal is sent to the connected device.

Application Areas: Schools buildings, residences, office buildings, hotels, banks, retail stores and many more.

Ordering Information

P/N	Description
ACB/M	Exit button blue housing
ACB/M FR	Exit button blue housing French warning text print
ACB	Exit button green housing

Dimensions (mm)



Application Areas



Emergency
Exit



Extinguishing
System

Technical specifications are subject to change without prior notice. 2138

