



## Features :

**Elock-600(UL) / Elock-600L(UL)** electromagnetic locks offer cost effective solution with easy installation & suitable for variety of application . It has no moving parts thus keeping maintenance to a minimum. All types of brackets are available to ease installation for both in-swing & out-swing doors.

- 600lbs holding force
- Dual voltage 12V DC & 24V DC
- MOV surge protection
- Fail-Safe type
- Adjustable mounting bracket
- Push-off button on armature for instant release
- Interconnection to a system in compliance with NFPA 101

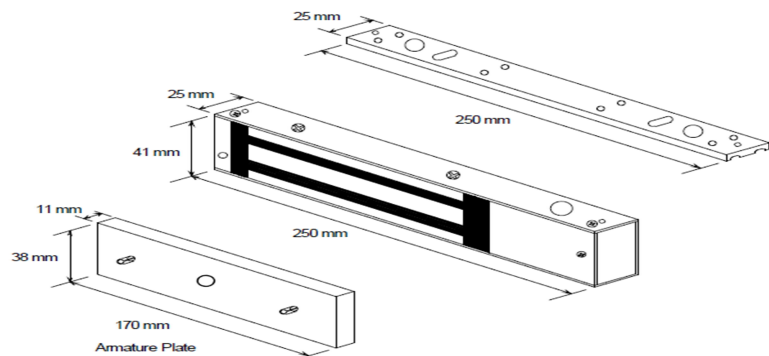
## Specification :

Model	<i>Elock-600(UL)</i>		<i>Elock-600L(UL)</i>	
Holding Force	600 lbs			
Operating Voltage	12/24 VDC			
Current Draw	12V DC	500mA @12V DC		
	24V DC	250mA @24V DC		
Bond Sensor Relay	NO		YES	
Status LED	NO		YES	

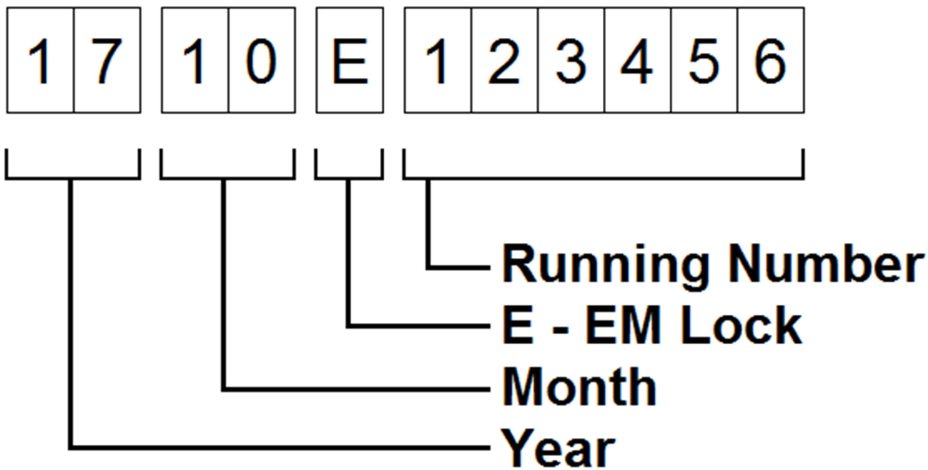
## Dimension :

Magnet : 250(L) X 41(W) X 26(D) mm

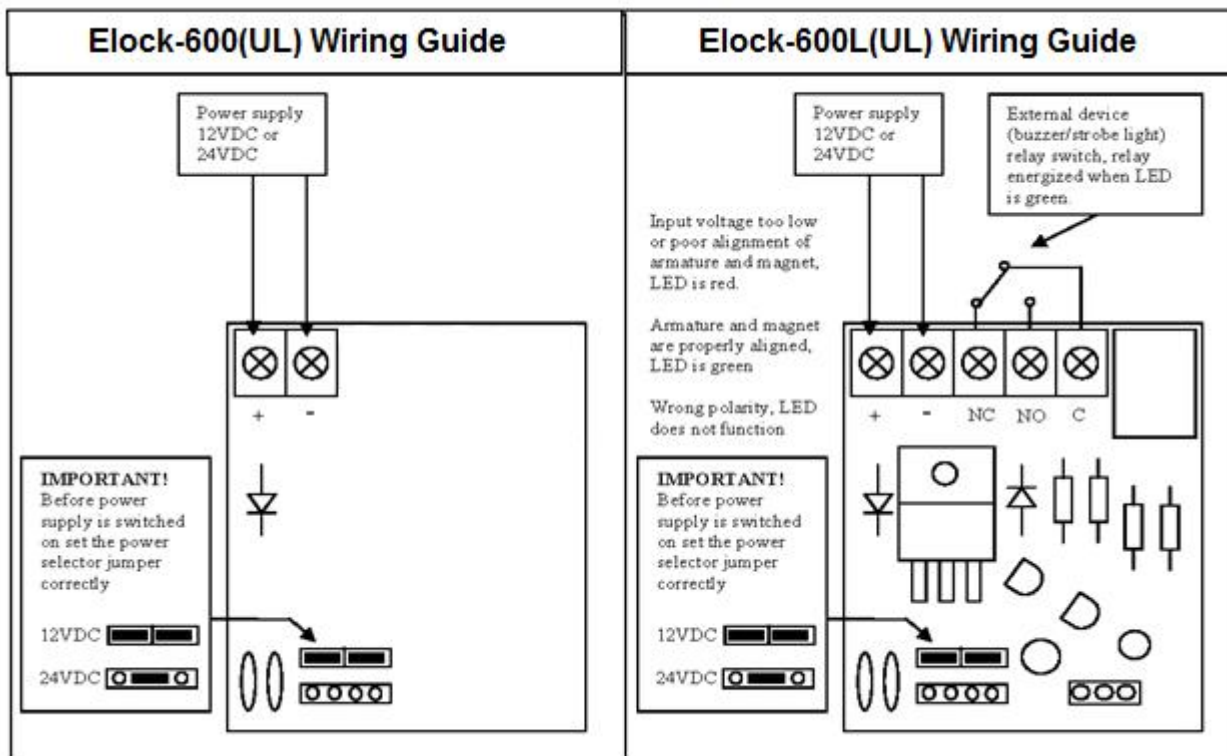
Armature Plate : 170(L) X 38(W) X 11(D) mm



## Serial Number Definition :



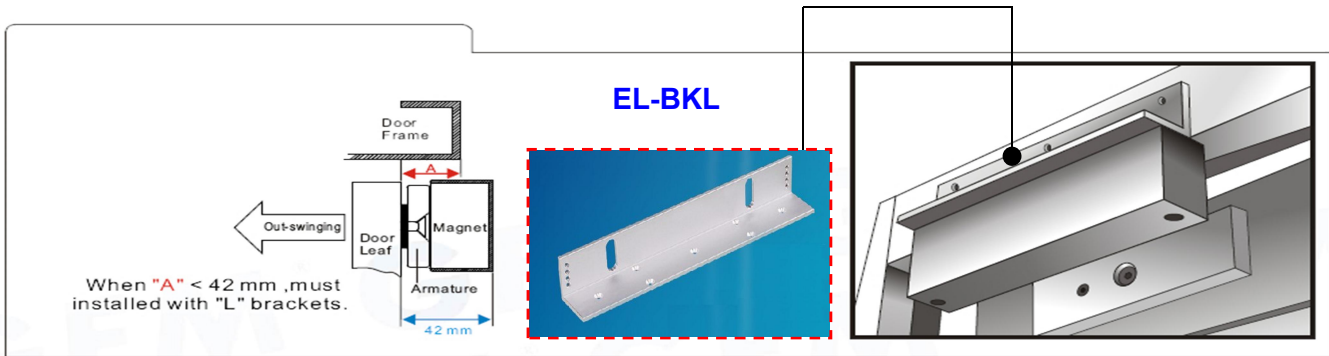
## Wiring Guide :



## Optional Brackets :

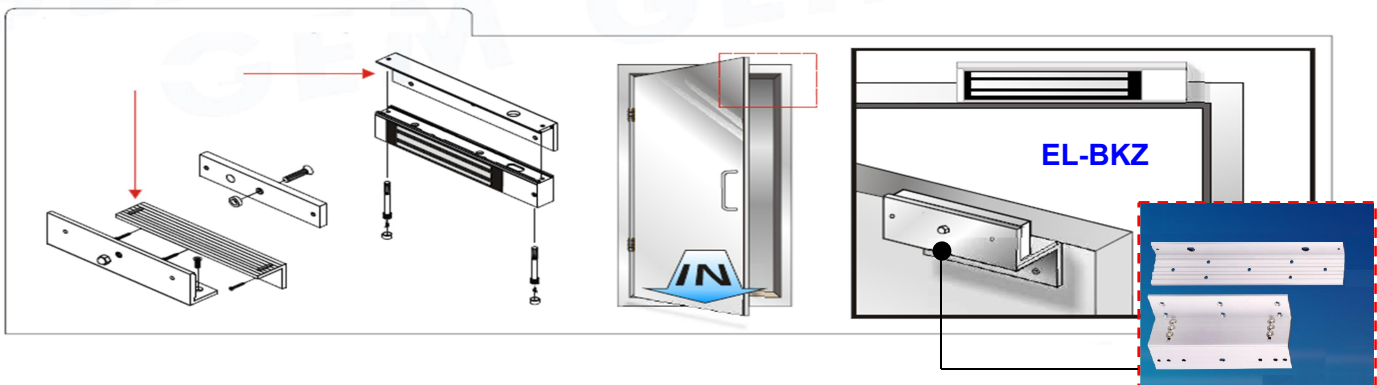
### EL-BKL ( L Bracket )

- Adjustable "L" bracket for outward door when the header is narrow.
- Available for elock-600(UL) & elock-600L(UL)



### EL-BKZ ( ZL Bracket )

- Adjustable "ZL" bracket for inward door application.
- Available for elock-600(UL) & elock-600L(UL)



### EL-BKU ( U Bracket )

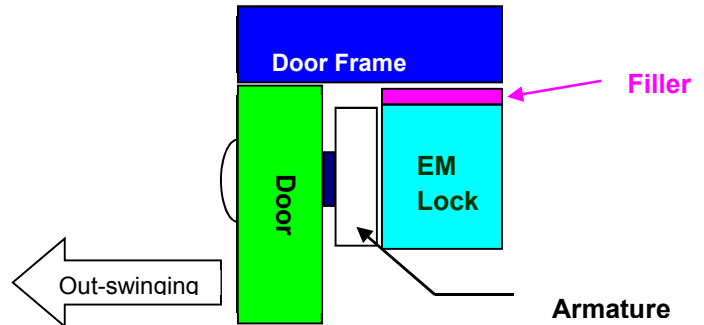
- Specially designed for glass door solution
- Available for elock-600(UL) & elock-600L(UL)



## Mounting Diagram :

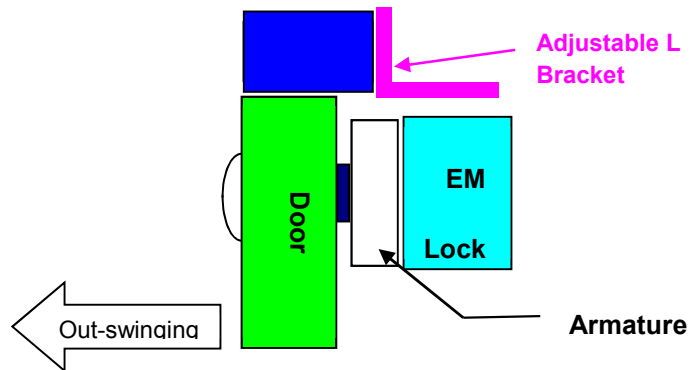
### Standard Mounting:

- With Filler Plate attached on top of EM Lock.



### L Bracket Mounting :

- Mounting with "Adjustable L Bracket" when Door frame is narrow.
- Mounting Procedure :-  
Remove the original "Filler Plate" attached to EM Lock, replaced with " Adjustable L Bracket " set.



### ZL Bracket mounting :

- Mounting with " ZL Bracket " for In-swing door application.
- Mounting Procedure :-  
Remove the original "Filler Plate" attached to EM Lock, replaced with " Adjustable ZL Bracket " set.

